



# 世隆机械

SHILONG MECHANICAL

ANALYSIS

SEARCH

COMPLETE

SCANNING



公司网站: <http://www.chinaslm.net>  
<http://www.psjpj.cn>  
电话: 024-31123242  
邮箱: [slm@chinaslm.net](mailto:slm@chinaslm.net)  
Whatapp: +86 15840301386  
+86 13998283590

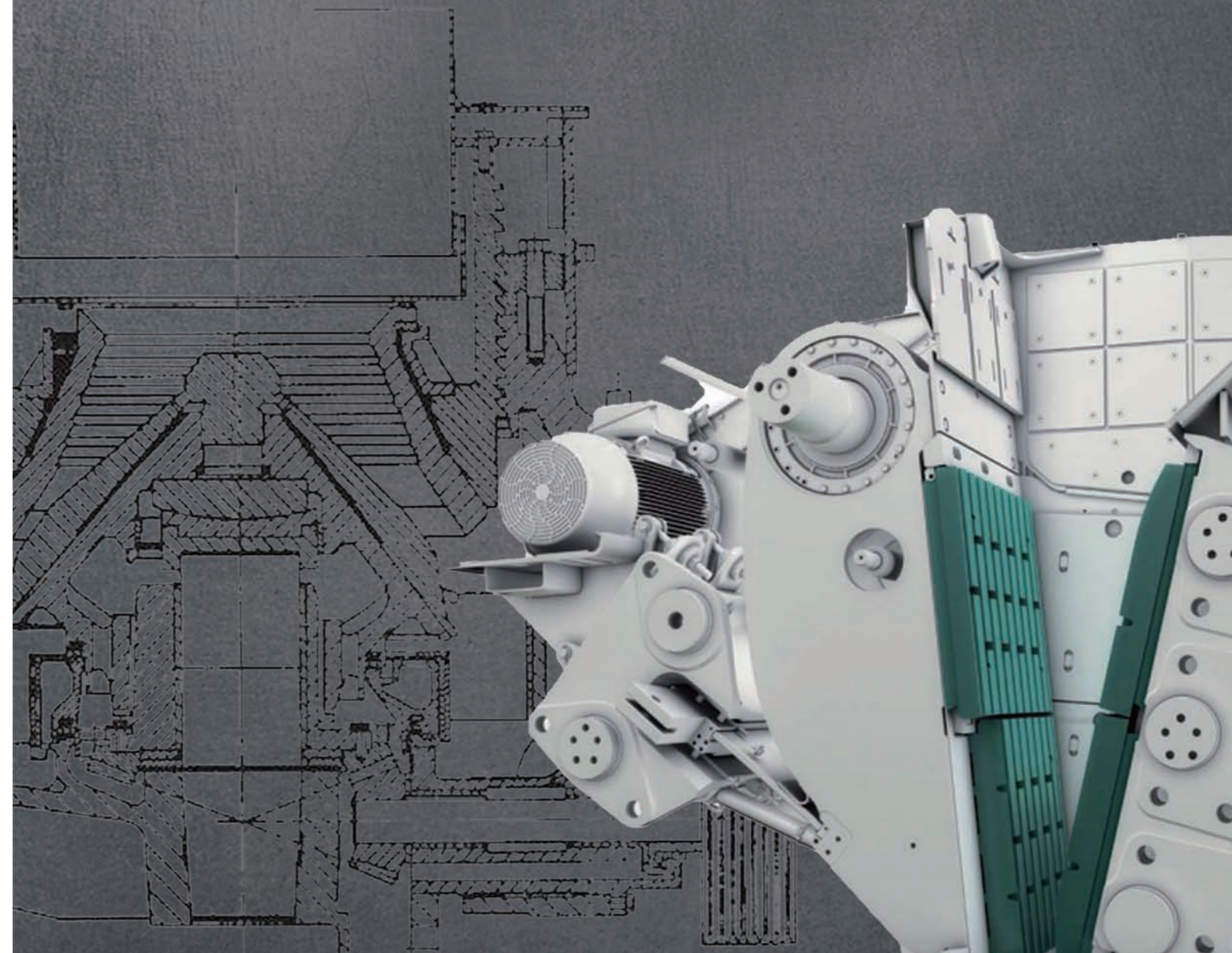
Address: No.19-1 9A 204, Econmic and Technology Development Area,  
Shenyang,China. ZipCode:110027





世隆机械

-SHILONG MECHANICAL-





<p><b>1</b> 公司简介 Company Profile <b>01</b></p>	<p><b>3</b> 整备设备 Equipment <b>08</b></p> <ul style="list-style-type: none"><li>(1) 单缸液压圆锥破碎机 ----- 09 Single Cylinder Hydraulic Cone Crusher</li><li>(2) 西蒙斯圆锥破碎机 ----- 11 Symons Cone Crusher</li><li>(3) 颚式破碎机 ----- 13 Jaw Crusher</li></ul>
<p><b>2</b> 公司生产力 Production Capacity <b>03</b></p>	<p><b>4</b> 备件 Spare Parts <b>15</b></p> <ul style="list-style-type: none"><li>(1) 高效圆锥破碎机备件 ----- 17 High Efficient Cone Crusher Spare Parts</li><li>(2) 单缸液压圆锥破碎机备件 ----- 19 Single Hydraulic Cone Crusher Spare Parts</li><li>(3) 球磨机备件 ----- 21 Ball Mill Spare Parts</li><li>(4) 颚式破碎机备件 ----- 23 Jaw Crusher Spare Parts</li><li>(5) 高压辊磨机备件 ----- 25 High Pressure Grinder Mill Spare Parts</li><li>(6) 其他备件 ----- 16 Other Spare Parts</li></ul>



# 世隆简介

# SHILONG PROFILE

沈阳世隆机械制造有限公司成立于2000年，是一家专注致力于生产制造矿山机械设备及零配件的综合性企业。公司坐落于中国东北工业基地，经过近二十余年的发展，公司逐渐形成以矿山行业为中心，同时跨及水泥与电站行业等相关领域的制造类公司。生产制造的相关产品遍及全国，并远销俄罗斯及其他独联体等国家。

作为专注于矿山领域设备及产品的制造类企业，世隆致力于打造全球化的专业制造工厂。公司在破碎机行业有20余年的生产经验，拥有车床、镗床、铣床及各类数控加工设备300余台，拥有各类专业技术人员30余名！并设有近3000平的大型仓库。

世隆二十年来为国内超过三千家的企业与外贸公司生产制造过千余种矿山设备及相关配件。产品主要覆盖多缸圆锥破碎机、重型液压圆锥破碎机、单缸圆锥破碎机、颚式破碎机、旋回破碎机、高压辊磨的整机及配件。产品质量可靠、性能良好，赢得了广泛赞誉。时间是最好的质检员。世隆以优质的质量与能力为您提供经得起考验的设备及配件和专业的服务。质量把控与售后跟踪是世隆传承的服务宗旨。根据图纸满足客户要求是世隆不变的准则。缩短设计、生产和供货周期是世隆承诺的保障。世隆专业的售后服务团队为您提供24小时的在线服务。世隆期待与您共同开创未来！

Shenyang ShiLong Mechanical Manufacturing Co., Ltd. was established in 2000. It is a comprehensive enterprise dedicated to the production of mining machinery and spare parts. ShiLong is located in an industrial zone in Northeast China. Through nearly 20 years of development, the company has gradually formed a manufacturing company centered on the mining industry and spanning cement and power station industries. Related products are throughout the whole of China and exported to Russia and other CIS countries.

As a manufacturing enterprise focusing on mining equipment and products, ShiLong is committed to building a global professional manufacturing factory. The company has more than 20 years of production experience in the crusher industry. ShiLong has more than 300 lathes, boring machines, milling machines and various CNC processing equipment and has more than 30 professional and technical personnel! And has a large warehouse of nearly 3000 square meters..

For 20 years, ShiLong has manufactured more than 1,000 kinds of mining equipment and related spare parts for more than 3,000 domestic enterprises and foreign trade companies. The products mainly cover , multi-cylinder cone crusher, heavy hydraulic cone crusher, single-cylinder cone crusher, jaw crusher, gyratory crusher, high-pressure roller mill and its spare parts. The product quality is reliable, the performance is good, has won widespread praise.

Time is the best quality inspector. ShiLong provides you with testable equipment and accessories and professional services with high quality and ability. Quality control and after-sales tracking are the service tenet of ShiLong. Satisfying customer requirements according to drawings is constant principle of ShiLong. Shortening the design, production and supply cycle is the guarantee of ShiLong commitment. The professional after-sales service team of ShiLong will provide you with 24-hour online service.

ShiLong looks forward to working with you to create the future together!



# 生产能力

## PRODUCTION CAPABILITY



龙门加工中心  
Gantry machining center



高压滚磨机辊套加工  
High-pressure roller mill  
roll sleeve machining



数控2.5米立车巡回  
破碎机铜套加工  
CNC 2.5m vertical lathe  
machining of copper sleeve  
of gyratory crusher



数控2.5米立车单缸500  
偏心套加工  
CNC 2.5m vertical lathe  
single cylinder 500 eccentric  
sleeve machining





数控滚齿机  
球磨机大齿圈加工  
CNC gear hobbing machine  
ball mill  
gear ring machining

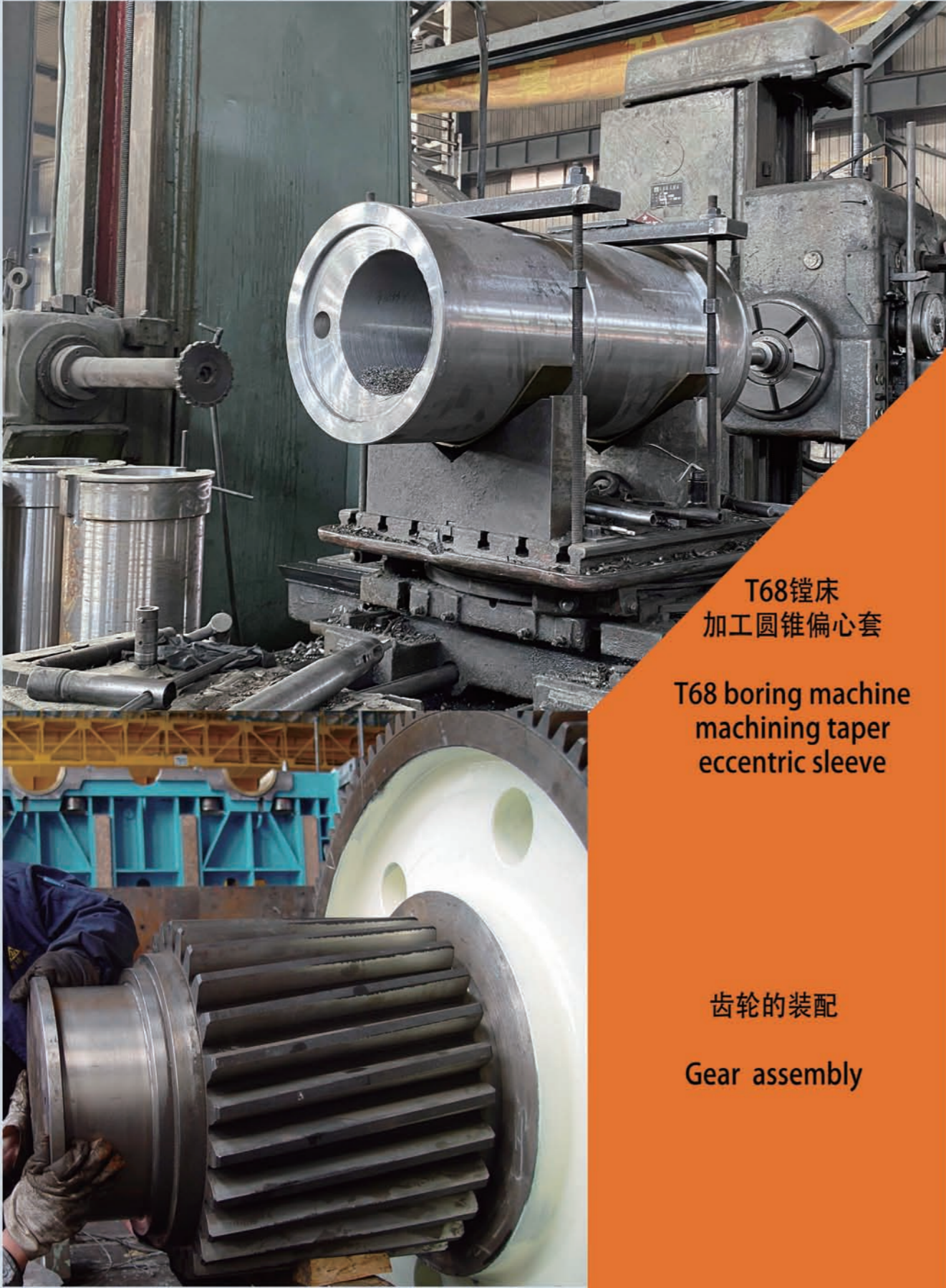


数控125全功能卧车  
圆锥破碎机锥套加工  
CNC 125 full-function  
horizontal lathe  
cone crusher taper sleeve  
machining



数控1.6米立车破碎机偏心套加工  
CNC 1.6m vertical lathe crusher eccentric sleeve machining  
数控4米立车单缸液压圆锥破碎机架体加工  
CNC 4-meter vertical lathe  
single cylinder hydraulic cone crusher frame machining  
数控160落地镗床圆锥破碎机架体加工  
CNC 160 horizontal boring machine  
cone crusher frame processing





T68镗床  
加工圆锥偏心套

T68 boring machine  
machining taper  
eccentric sleeve

齿轮的装配

Gear assembly

整机设备  
Equipment







单缸液压圆锥破碎机  
 Single Cylinder Hydraulic Cone Crusher

产品特点:

- 1.单缸液压圆锥破碎机是具有国际先进技术的圆锥破碎机,不仅具有高可靠性,而且破碎效率高、产品粒形好;
- 2.具有多种破碎腔型可供选择,通过选择合适的破碎腔型及偏心距,可以充分满足客户的生产要求,实现高产量。
- 3.采用液压调整排矿口,可及时方便的调整排矿口,使破碎机在挤满给料状态下工作。降低易损件的消耗,降低运营成本。
- 4.由于采用了先进的液压技术,可有效实现过载保护,简化了破碎机的结构,减轻了重量,所有维修和检查都可以从破碎机上部来完成,维修方便。
- 5.液压与润滑系统双保险控制,使液压圆锥破碎机在过载时得到保护。并具有良好的轴承润滑。

1. Single-cylinder hydraulic cone crusher is a cone crusher with international advanced technology. It not only has high reliability, but also has high crushing efficiency and good product shape;
2. There are a variety of crushing cavity types to choose from. By selecting the appropriate crushing cavity type and eccentricity, you can fully meet the customer's production requirements and achieve high output.
3. The discharge port is adjusted by hydraulic pressure, which can adjust the discharge port in time and conveniently, so that the crusher can work under the state of full feeding. Reduce the consumption of wearing parts and reduce operating costs.
4. Due to adopt advanced hydraulic technology, overload protection can be effectively achieved. The structure of the crusher is simplified, and the weight is reduced. All maintenance and inspections can be completed from the upper part of the crusher. It is easy to maintain.
5. Double insurance control of hydraulic and lubrication system, so that the hydraulic cone crusher is protected when overloaded. And has good bearing lubrication.

型号 Model	腔型 Tye	给料尺寸 Feeding Size (mm)	冲程 stroke	排料尺寸 Discharge Size (mm)	产量 (吨/小时) Capacity (t/h)						电机功率 Motor Power (KW)	总重 Total Weight (KG)		
					8mm	10mm	15mm	20mm	25mm	30mm			35mm	40mm
GPL100	EF	40	冲程 stroke	16	40-50	45-55	60-70	80-90	85-95			75~90	5800	
	F	50		20	50-55	50-60	70-80	95-105						
	MF	100		25		55-65	75-90	105-120						
	MF	130												
	C	150												
GPL200	EF	40	冲程 stroke	18	60-70	70-90	80-105	100-125	135-50	160-175	185-200	160~220	9300	
	F	70		25		90-110	110-130	130-155	160-180	185-210				
	MF	130		32			140-160	170-190	190-220					
	EC	210		40				200-220	220-240					
GPL300	EF	40	冲程 stroke	25	100-200	110-130	135-155	160-180	190-210	210-235	240-260	160~250	13400	
	F	60		32	110-130	120-150	165-195	195-225	230-260	265-295	300-330			
	MF	100		40			150-170	205-235	245-275	290-320	325-355			
	MF	130												
	C	180												
	EC	260												
GPL500	EF	50	冲程 stroke	25		140-160	160-180	190-210	240-260	270-290	310-330	350-370	200~315	26500
	F	90		32			230-250	270-290	310-330	340-370	380-410	430-450		
	MF	130		40				290-310	320-340	380-410	430-460	480-510		
	MF	180												
	C	220												
GPL11	C	200	冲程 stroke	20	80-90	95-105	115-135	140-155	160-175			132~160	11000	
	MF	120		25	110-125	125-150	150-170	170-200	200-210					
	F	80		30		145-155	170-205	210-230						
	EF	40												

型号 Model	腔型 Tye	给料尺寸 Feeding Size (mm)	冲程 stroke	排料尺寸 Discharge Size (mm)	产量 (吨/小时) Capacity (t/h)						电机功率 Motor Power (KW)	总重 Total Weight (KG)
					20mm	25mm	30mm	35mm	40mm	45mm		
GPL 100S	M	200	冲程 stroke	16	80-90	105-115	120-130	135-145	145-165	155-175	90	7350
				20		120-130	145-155	160-180	170-200	185-215		
				25		185-195	200-220	210-230				
GPL 200S	C	250	冲程 stroke	18		110-140	140-170	160-190	180-210	200-230	160	10900
				25			170-220	190-240	210-260	230-280		
				32				230-280	270-320	280-350		
GPL 300S	C	280	冲程 stroke	18		170-190	170-210	190-230	210-255	235-275	250	16200
				25			220-270	255-315	290-345	320-350		
				32				360-400	380-420	400-440		
				40				450-500	480-530			
GPL 500S	C	380	冲程 stroke	18						300-350	315	33300
				25								
				32								
				40								





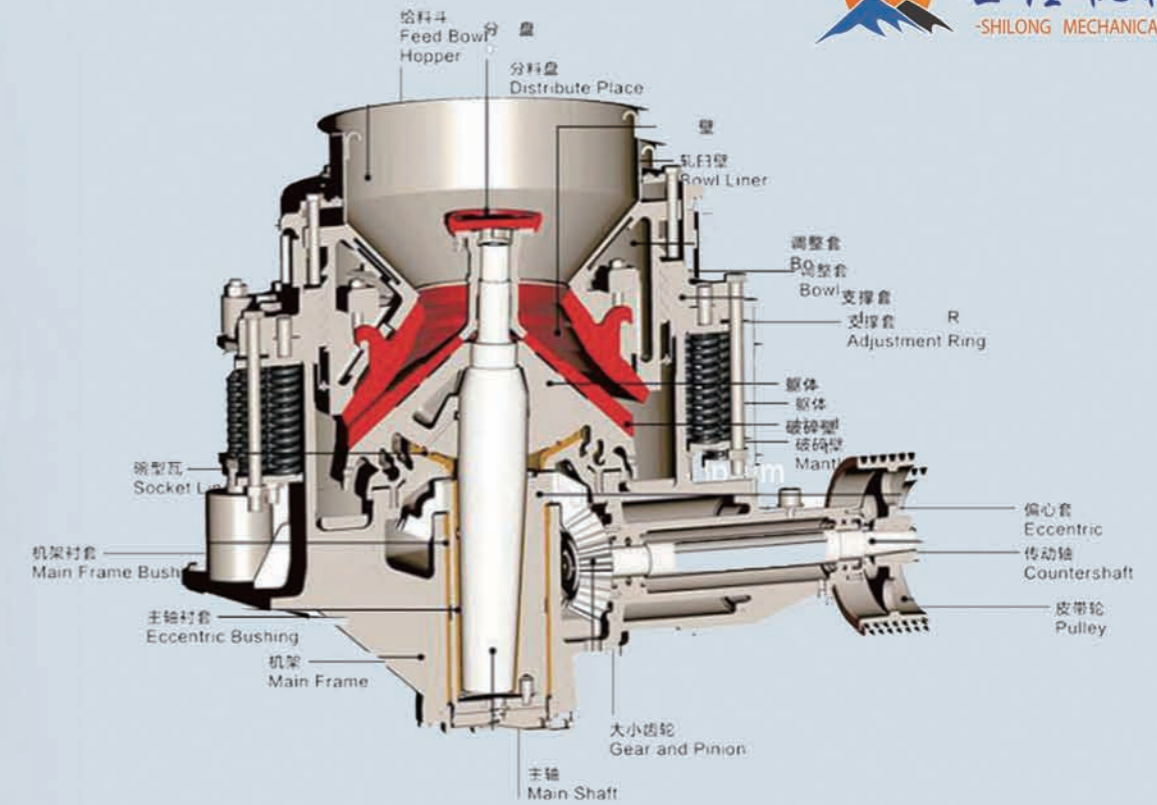
西蒙斯圆锥破碎机  
Symons Cone Crusher

产品用途与特点:

西蒙斯圆锥破碎机是我公司在引进、吸收国外技术的基础上, 根据客户的需求, 基于层压破碎原理及多破少磨概念设计研发的集高摆频、优化腔型和合理冲程于一体的现代高性能弹簧圆锥破碎机。实践证明, PYS系列高效弹簧圆锥破碎机以其优异的性能、可靠的质量和高性价比赢得全球用户的信任, 是传统圆锥破碎机的理想替代产品。

Product Characteristics

Symons cone crusher is a combination of high swing frequency, optimized cavity and reasonable stroke to be designed which are based on the principle of lamination crushing and the concept of more breaking and less grinding. And they are on the basis of introducing and absorbing foreign technology. They are belong to modern high-performance spring cone crusher. Practice has proved that the PYS series high-efficiency spring cone crusher has won the trust of global users with its excellent performance, reliable quality and high cost performance. It is an ideal substitute for traditional cone crushers.



型号及规格 Model	腔型 Cavity	给矿口尺寸 Feeding Size (mm)		最小排矿口 min Discharge (mm)	电机功率 Power (KW)	设备重量 Weight (t)	排矿口尺寸 Discharge Size (mm)	产量 Yield (t/h)
		闭口边 Closed Size	开口边 Open Size					
PYS-B0607	标准	细型	57	72	6	7.21	6-25	10-52
PYS-B0609		粗型	83	95	9		9-31	12-55
PYS-D0603	短头	细型	19	35	3	7.56	3-13	6-40
PYS-D0605		粗型	38	51	5		5-16	10-45
PYS-B0910	标准	细型	83	102	9	14.3	9-22	40-95
PYS-B0917		粗型	159	175	13		13-38	50-160
PYS-B0918	短头	特粗型	163	178	25	14.64	25-64	110-170
PYS-D0904		细型	13	41	3		3-13	25-90
PYS-D0906	短头	中型	33	60	3	14.64	3-16	25-95
PYS-D0907		粗型	51	76	6		6-19	60-125
PYS-B1313	标准	细型	109	137	13	24.5	13-31	105-180
PYS-B1321		中型	188	210	16		16-38	130-250
PYS-B1324		粗型	216	241	19		19-51	170-350
PYS-B1325		特粗型	238	259	25		25-51	235-360
PYS-D1306	短头	细型	29	64	5	25	5-16	50-160
PYS-D1308		中型	54	89	6		6-16	75-160
PYS-D1310		粗型	70	105	8		8-25	100-215
PYS-D1313	短头	特粗型	98	133	16	24	16-25	180-225
PYS-B1620		细型	188	209	16		16-38	180-325
PYS-B1624		中型	213	241	22		22-51	260-420
PYS-B1626		粗型	241	269	25		25-64	300-635
PYS-D1636	短头	特粗型	331	368	38	52.51	38-64	430-630
PYS-D1607		细型	35	70	5		5-13	100-210
PYS-D1608	短头	中型	54	89	6	52.51	6-19	135-310
PYS-D1613		粗型	98	133	10		10-25	190-335
PYS-D1614		特粗型	117	158	13		13-25	250-335
PYS-B2127		细型	253	276	19		19-38	540-800
PYS-B2133	标准	中型	303	334	25	108	25-51	670-1100
PYS-B2136		粗型	334	369	31		31-64	850-1400
PYS-B2146		特粗型	425	460	38		38-64	970-1400
PYS-D2110	短头	细型	51	105	6	110	6-16	300-450
PYS-D2113		中型	95	133	10		10-19	390-560
PYS-D2117		粗型	127	178	13		13-25	480-660
PYS-D2120		特粗型	152	203	16		16-25	560-720





### 颚式破碎机+欧版颚式破碎机 Jaw Crusher

#### 产品用途与特点:

颚式破碎机是一种用途极为广泛的破碎设备, 根据其结构特点可分为复摆颚式破碎机 (即单肘板颚式破碎机) 和简摆颚式破碎机 (即双肘板颚式破碎机)。一般说来, 复摆颚式破碎机适用于粗、中碎抗压强度250MPa以下的各种矿石和岩石; PEF-X细碎复摆颚式破碎机一般只适用于细碎中等以下硬度的矿石和岩石。而简摆颚式破碎机则可破碎各种硬度的矿石和岩石, 且特别适用于破碎各种坚硬的磨蚀性强的石料。

#### Product Characteristics

Jaw crusher is widely used crushing equipment. It can be divided to duplicate pendulum jaw crusher (single jaw plate jaw crusher) and simple pendulum jaw crusher (double jaw plate jaw crusher). In generally, duplicate pendulum jaw crusher is used in primary and secondary crushing whose ore compression strength is less than 250MPa. PEF-X fine jaw crusher is used for crush medium hard ore and rock. Simple pendulum jaw crusher can crush kinds of ore and rock with variety hard, especially hard rock and corrosive rock.

型号规格 Specification	给料口尺寸 Feeding Size (mm)		最大给料尺寸 Max Feeding Size (mm)	开边排矿口尺寸 Open Discharge Opening Size (mm)		生产能力 (排矿口为公称值时) Product Capacity (Nominal Discharging) (m <sup>3</sup> /h)
	宽度 Width	长度 Length		公称尺寸 Nominal Size	调整范围 Adjusting Range	
PEJ0609	600	900	500	100	±25	60
PEJ0912	900	1200	750	130	±35	180
PEJ1215	1200	1500	1000	155	±40	310
PEJ1521	1500	2100	1300	180	±45	550

	CL80	CL100	CL96	CL106	CL116	CL3054	C110	C125	C140	C145	CL160	C200
给料口宽度 (mm) Feeding Port width	800	1000	930	1060	1150	1375	1100	1250	1400	1400	1600	2000
给料口深度 (mm) Feeding Port depth	510	760	580	700	800	760	850	950	1070	1100	1200	1500
电机功率 (KW) Motor Power	75	110	90	110	132	160	160	160	200	200	250	400
转速 (rpm) Rotating Speed	350	260	330	280	260	260	230	220	220	220	220	200
产品尺寸 (mm)	紧边排料口	t/h	t/h	t/h	t/h	t/h	t/h	t/h	t/h	t/h	t/h	t/h
0-30	20											
0-35	25											
0-45	30											
0-60	40	65-85										
0-75	50	80-95										
0-90	60	95-125	120-155									
0-105	70	115-150	150-210	140-180	155-200	170-220	240-310	190-250				
0-120	80	130-170	170-225	160-210	175-230	190-250	270-350	210-275				
0-135	90	150-195	190-245	180-235	200-260	215-280	295-385	235-305				
0-150	100	165-215	215-280	200-260	220-290	240-310	325-425	255-330	290-380			
0-185	125	210-275	265-345	250-325	280-365	295-385	390-510	310-405	350-455	385-500	400-520	
0-225	150	250-325	315-410	300-390	335-435	350-455	460-600	370-480	410-535	455-590	470-610	520-675
0-260	175	290-380	370-480	350-455	390-510	405-525	530-690	425-550	470-610	520-675	540-700	595-775
0-300	200		420-545		445-580	460-600	600-780	480-625	530-690	590-765	610-795	675-880
0-340	225								590-770	655-850	680-885	750-975
0-375	250								650-845	725-945	750-975	825-1070
0-410	275										820-1070	900-1170



备件  
Spare Parts



旋回破碎机偏心套  
Eccentric sleeve of  
gyratory crusher



螺旋分级机齿轮  
Spiral classifier gear



高压辊磨机辊套  
High pressure roller mill  
roll sleeve





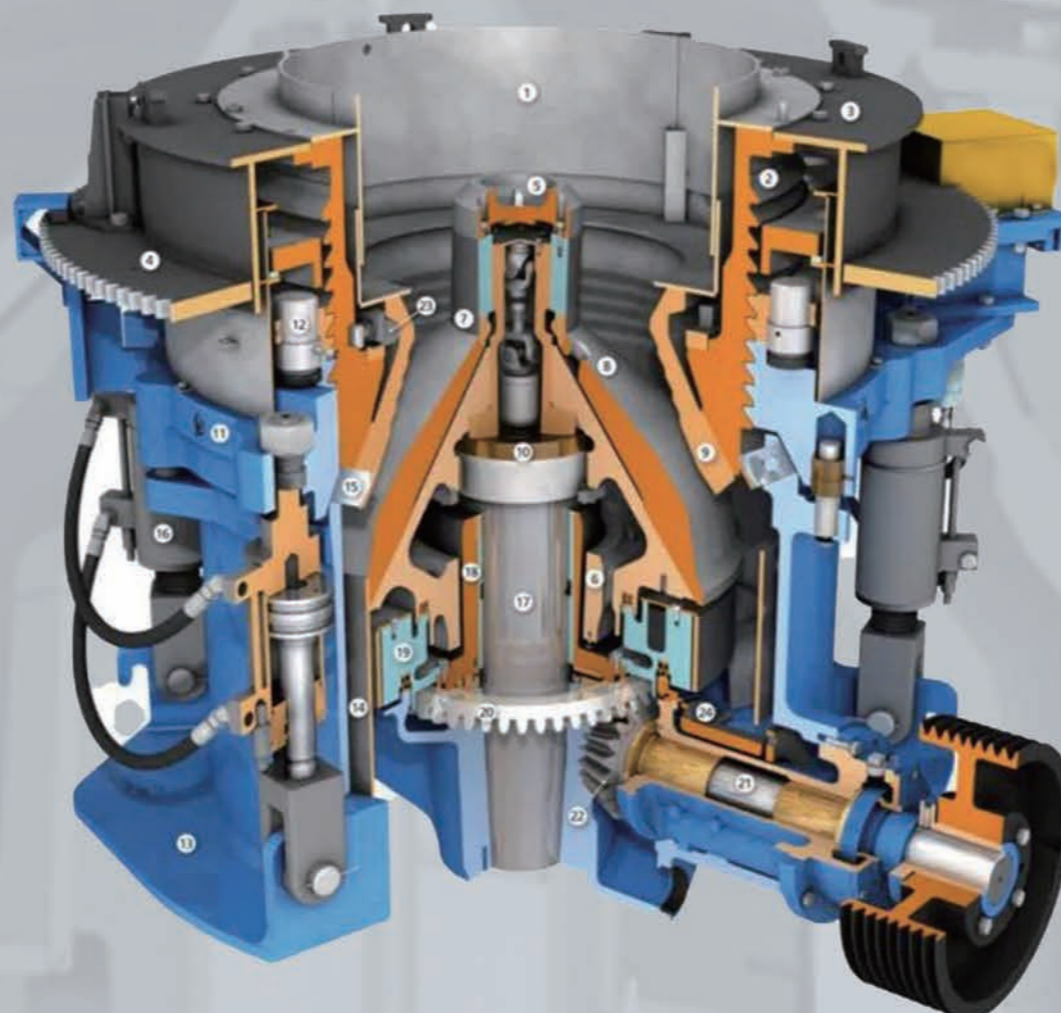
高效圆锥破碎机大小齿轮  
High efficient cone crusher gear and pinion



高效圆锥破碎机偏心套  
High efficient cone crusher eccentric bushing



高效圆锥破碎机动锥体  
High efficient cone crusher movable cone



高效圆锥破碎机主轴  
High efficient cone crusher main shaft

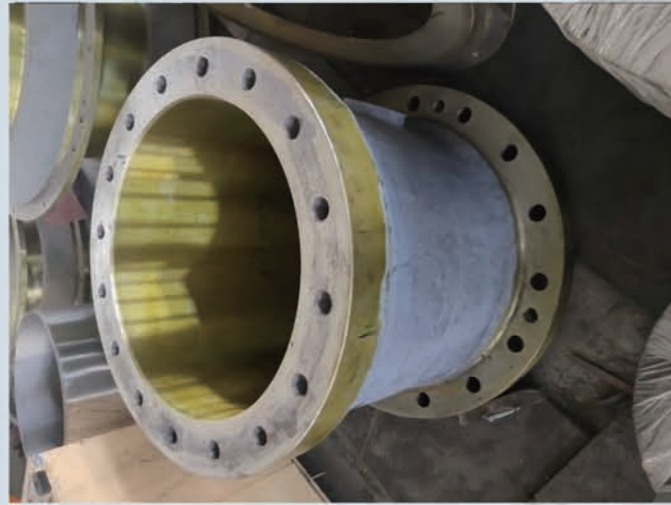


高效圆锥破碎机架体  
High efficient cone crusher frame



高效圆锥破碎机配重  
High efficient cone crusher countweight

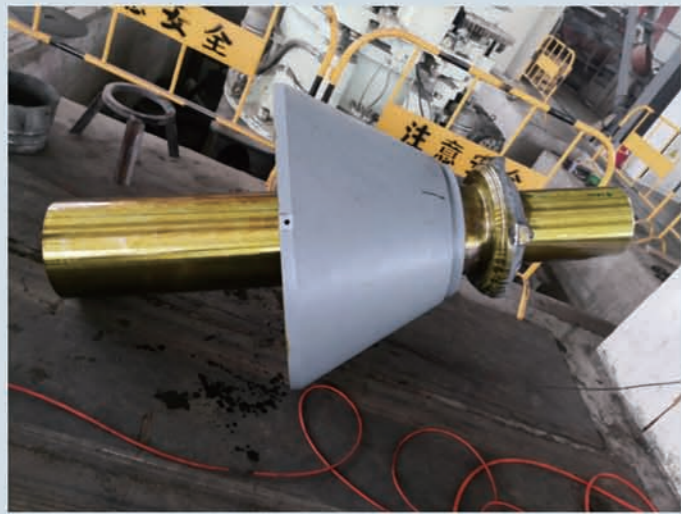




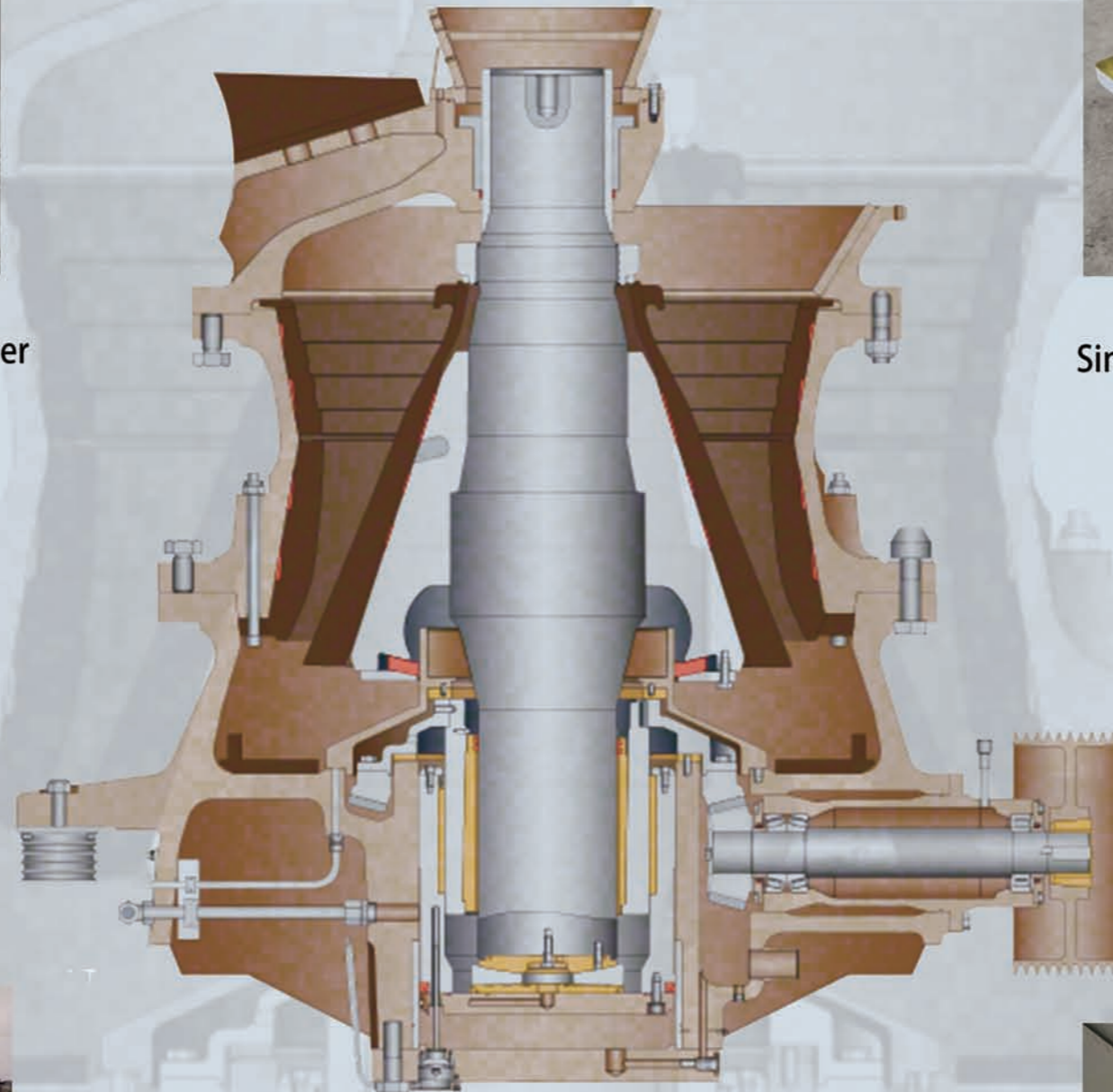
单液压缸圆锥破碎机油缸  
Single hydraulic cone crusher hydro-cylinder



单液压缸圆锥破碎机下架体  
Single hydraulic cone crusher lower frame



单液压缸圆锥破碎机动锥体  
Single hydraulic cone crusher movable cone



单液压缸圆锥破碎机油缸  
Single hydraulic cone crusher hydro-cylinder



单液压缸圆锥破碎机上架体  
Single hydraulic cone crusher upper frame



单液压缸圆锥破碎机主轴  
Single hydraulic cone crusher main shaft





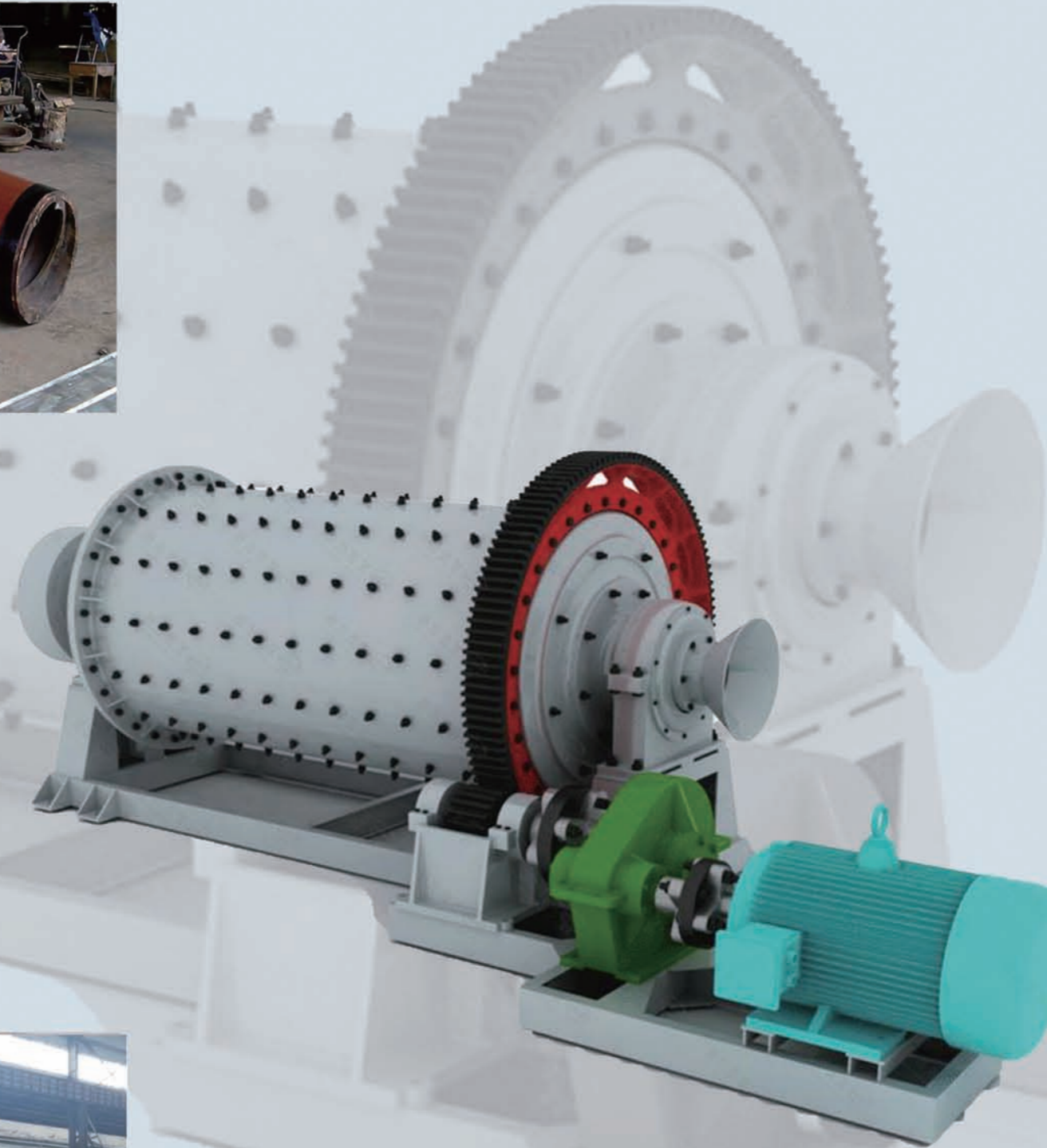
球磨机出料口  
Ball mill discharge port



球磨机端盖部  
Ball mill head cap



球磨机传动部  
Ball mill transmission part



球磨机小齿轮  
Ball mill pinion



球磨机大齿轮  
Ball mill gear



球磨机瓦轴  
Ball mill shaft bush





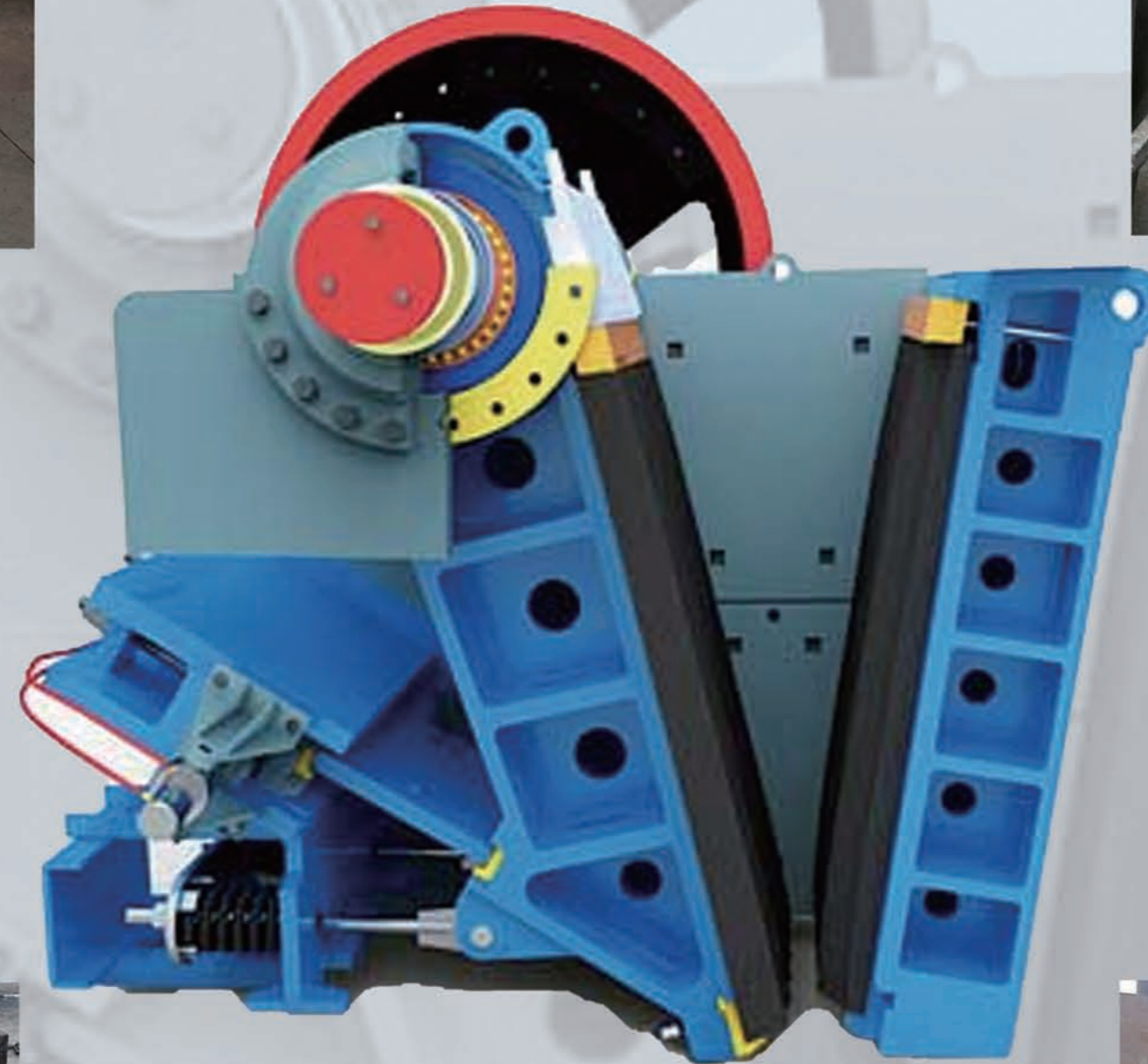
颚破动颚飞轮  
Jaw crusher flywheel



颚破动颚齿板  
Jaw crusher tooth plate



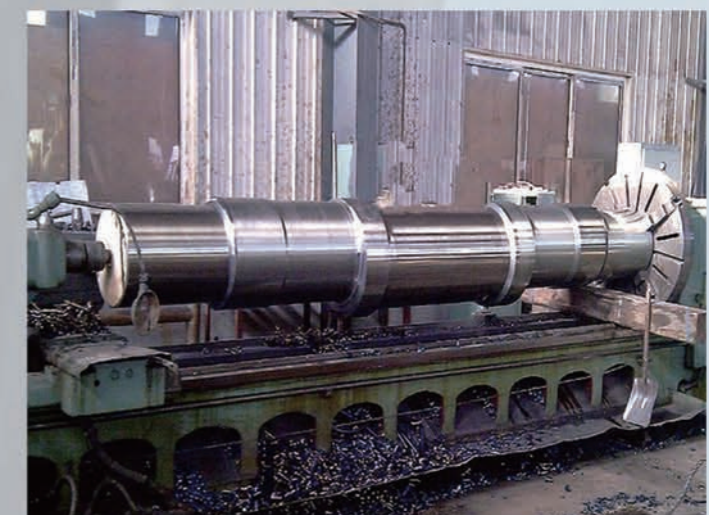
颚破动颚 皮带轮  
Jaw crusher Belt pulley



颚破颚体  
Jaw crusher jaw part



颚破动颚部总成  
Jaw crusher movable jaw assembly



颚破偏心轴加工  
Jaw crusher eccentric shaft machining





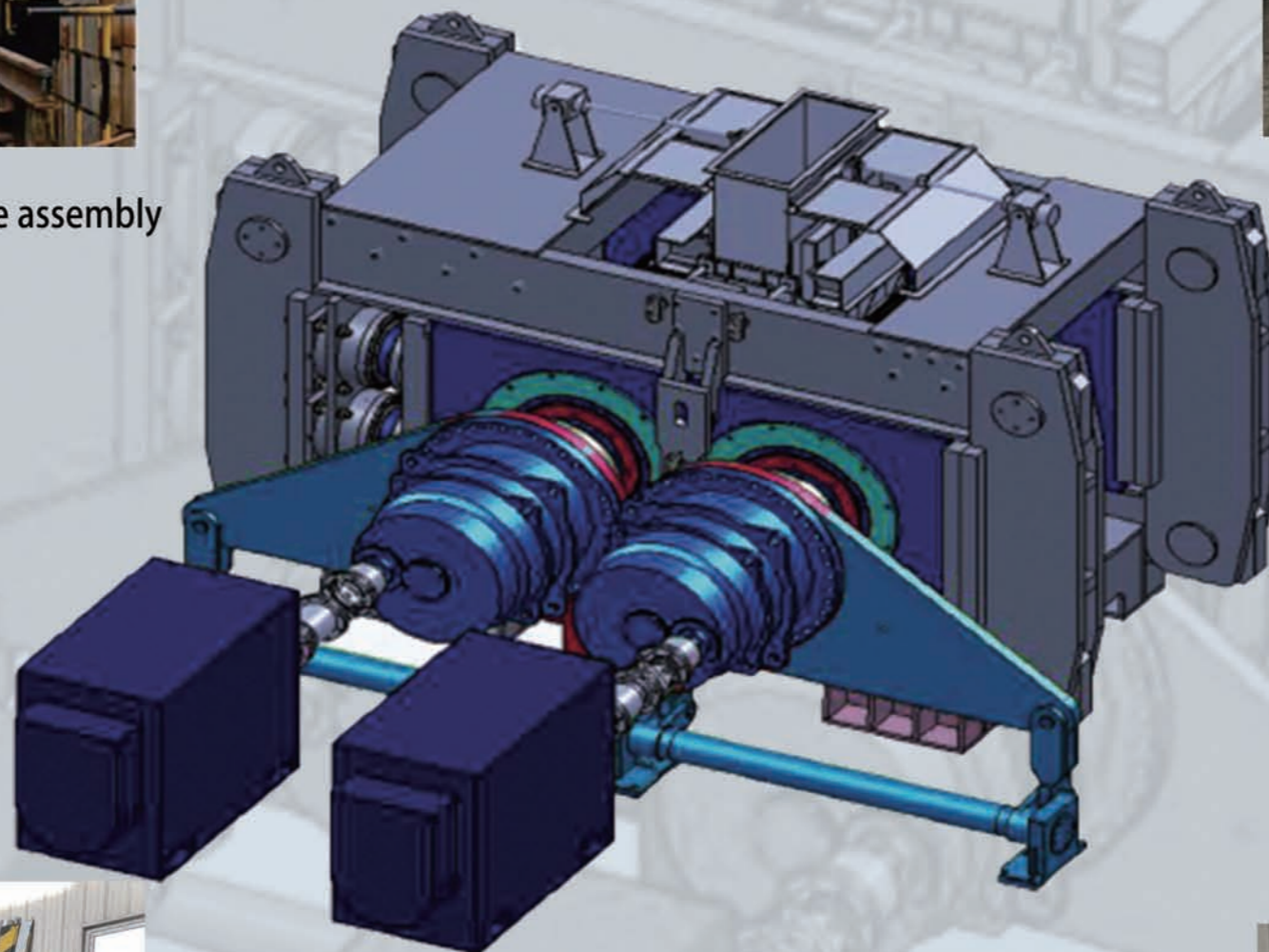
高压辊磨机辊套总成  
High pressure grinder mill roll sleeve assembly



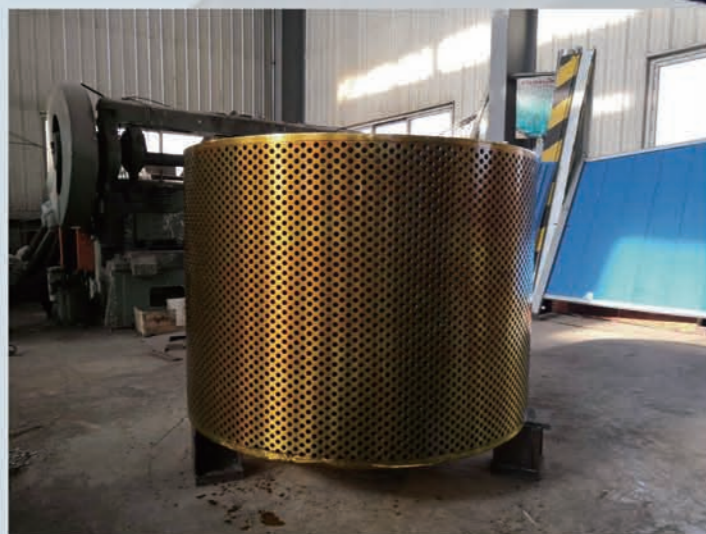
高压辊磨机辊套  
High pressure grinder mill roll sleeve



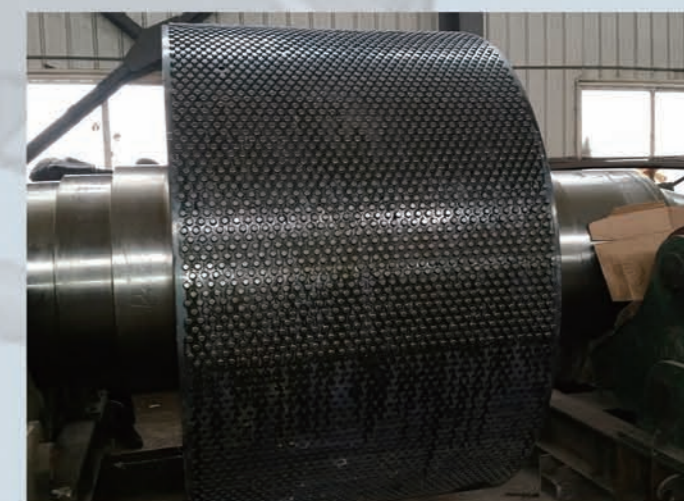
高压辊磨机辊套发货  
High pressure grinder mill roll sleeve delivery



高压辊磨机辊套包装  
High pressure grinder mill roll sleeve packing



高压辊磨机辊套  
High pressure grinder mill roll sleeve



高压辊磨机辊套  
High pressure grinder mill roll sleeve